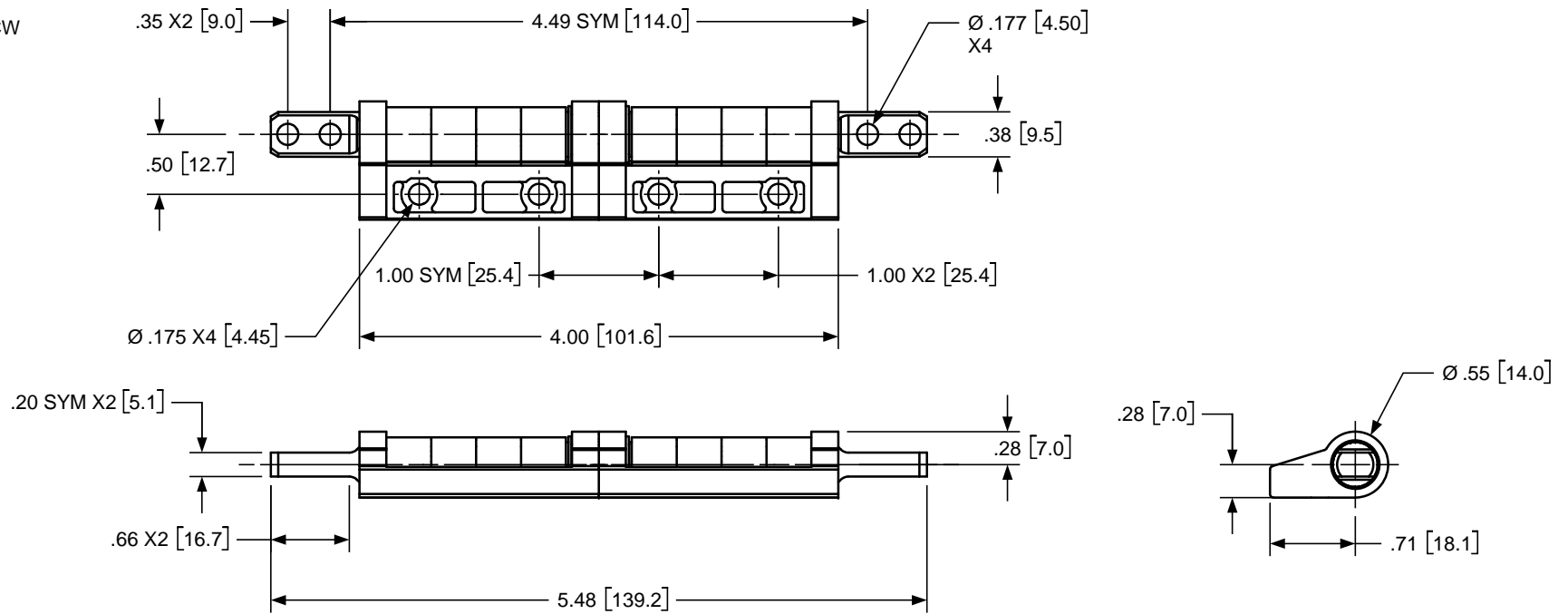


REVISION RECORD			
REV	DESCRIPTION	DATE	APPD



- NOTES:**
- HINGE TORQUE: UNBALANCED.
 - CCW TORQUE = 61.0 ± 5 IN.LB.
 - CW TORQUE = LESS THAN CCW TORQUE.

SHINELOT <small>ALL INFORMATION ON THIS PRINT ARE PROPRIETARY TO SHINELOT, AND SHALL NOT BE USED IN WHOLE OR IN PART WITHOUT SHINELOT'S CONSENT.</small>		TITLE			
		HINGE INTERFACE			
ENGLISH / METRIC TOLERANCES METRIC .X ±.3 MM .XX ±.13 MM .XXX ±.005 MM ENGLISH .XX ±015 IN .XXX ±005 IN .XXXX ±0002 IN		MATERIAL		ZINC HOUSING STEEL SHAFT AND BAND	
		SIZE	DWG NO.	REV	
		B	3001-0010-HNG 61XX	0.0	
USED ON	REV	DRAWN BY	HST	DATE	08/12/10
		SCALE	1:1	SHEET	1 OF 1